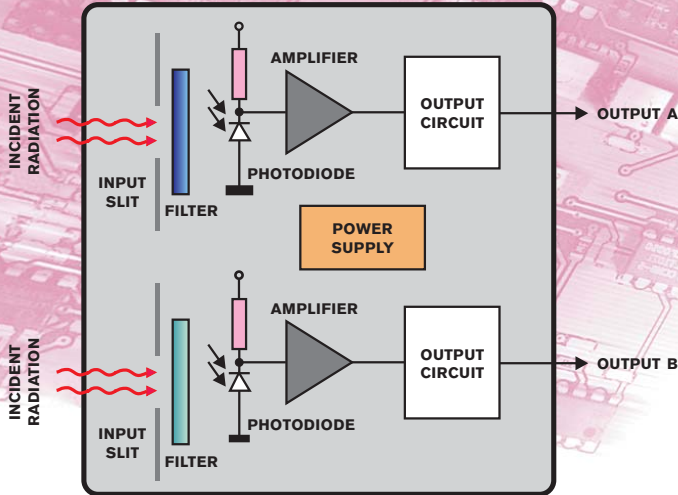




Two-Channel Fast IR Detector Model DP 1310

Optical Generators and Photodetectors



Parameters

Wavelength of max spectral sensitivity	1310 nm
Max incident optical power	1 mW (behind spectral filters)
Temporal resolution	200 to 300 ps
Max filter output diameter	26 mm
Connectors	3 × SMB

Power	12 VDC
Dimensions	∅64 × 40 mm
Weight	0.5 kg



The DP 1310 fast IR detector was developed for measurement and monitoring of the laser double-pulse delay. The mechanic design allows simple implementation of various spectral filters.